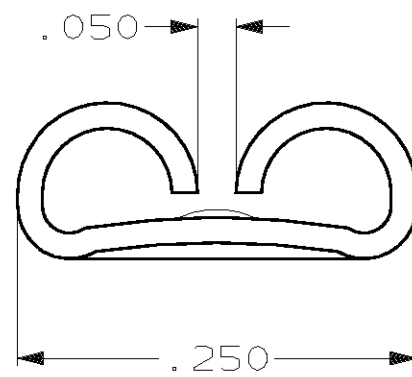
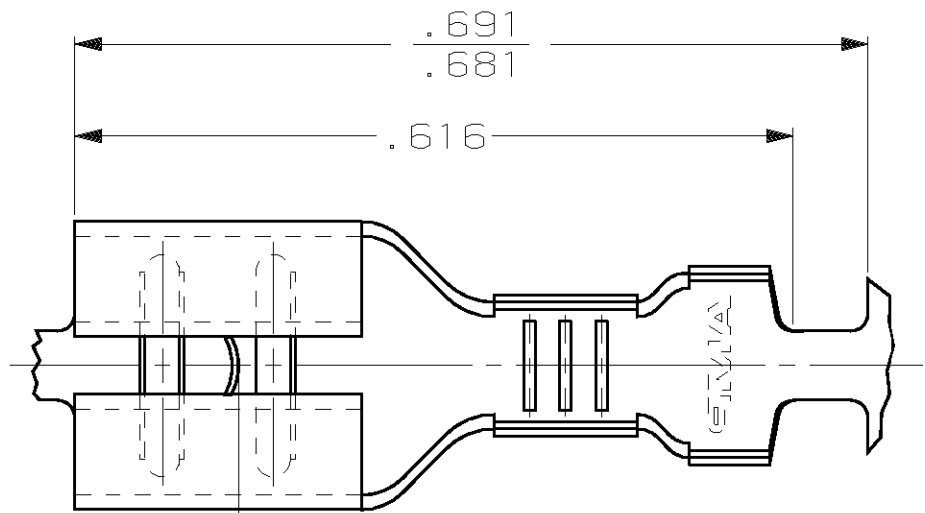


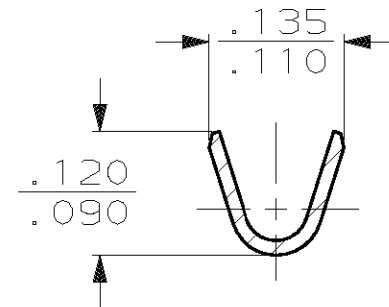
THIS DRAWING IS UNPUBLISHED. RELEASED FOR PUBLICATION, 19 .
 © COPYRIGHT 19 BY AMP INCORPORATED. ALL INTERNATIONAL RIGHTS RESERVED.

LOC	DIST	P	F	REVISIONS				DATE	APPD
AF	50			ZONE	LTR	DESCRIPTION			
					T	REV PER 0G3A-0182-00	15MAR00	JR/PD	

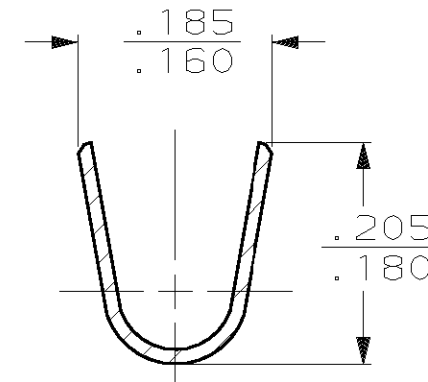


VIEW A-A

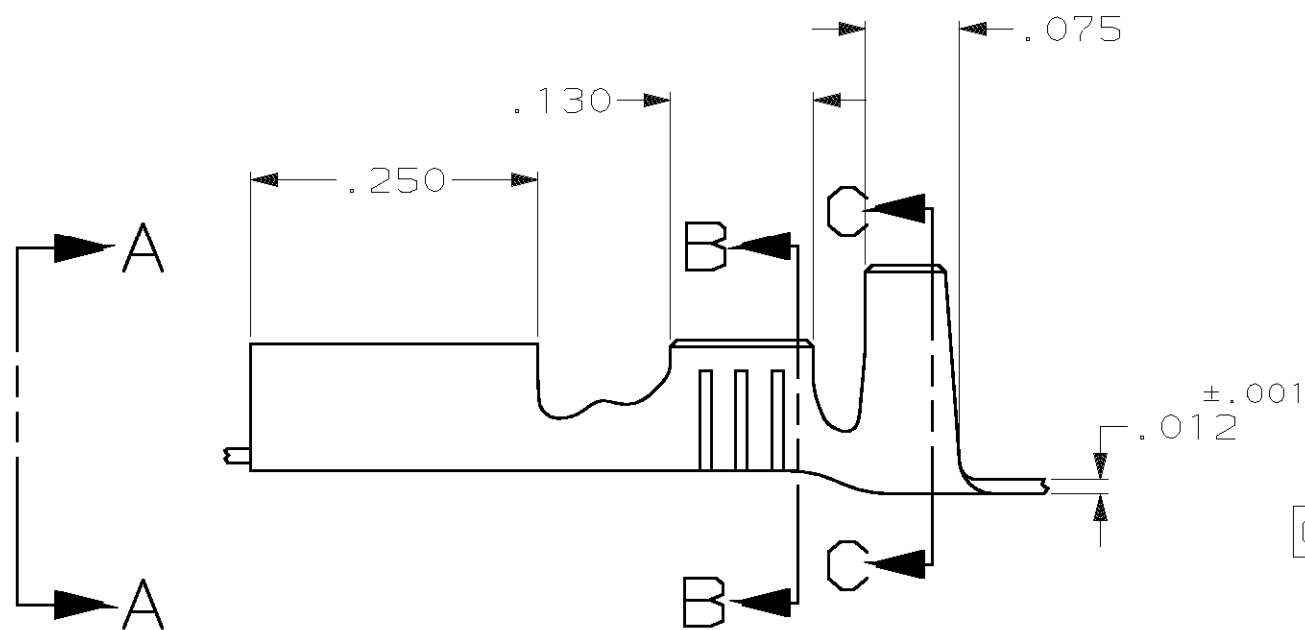
- 1 #4H BRASS
- 2 TEMPER 3 PHOS BRONZE
- 3 TIN PL .000080 MIN THK



SECT. B-B



SECT. C-C



OBSOLETE	2 3	.085-.125 DIA	#22-#18 AWG	42198-3
	1 3			42198-2
	1 NONE			42198-1
MATERIAL & FINISH	INSULATION RANGE	WIRE SIZE	PART NO	
DO NOT SCALE PRINT. UNLESS SPECIFIED DIMENSIONS IN mm [INCHES] TOLERANCES ON: 2 PLC DEC ± - 3 PLC DEC ± .015 ANGLES ± -	DR 8/16/95 JR RUTH CHK 8/16/95 MS FEHER APPD 8/16/95 P DESANTIS APPD 8/16/95 R REINER	AMP Incorporated Harrisburg, PA 17105-3608		
MATERIAL SEE TABLE	PRODUCT SPEC -	NAME RECEPTACLE, FASTON, .205 SERIES		
FINISH SEE TABLE	APPLICATION SPEC -	SIZE B	CAGE CODE 00779	DRAWING NO C-42198
	WEIGHT -	SCALE 6:1	SHEET 1 OF 1	

THIS DRAWING IS A CONTROLLED DOCUMENT FOR AMP INCORPORATED. IT IS SUBJECT TO CHANGE AND THE CONTROLLING ENGINEERING ORGANIZATION SHOULD BE CONTACTED FOR THE LATEST REVISION.